

## OKTOPUS® ERGO-Jet 250 DS R 660 S TA CA EDU

Handling device for shop floor operation with pneumatic lifting, rotating and tilting function



### Single circuit system

For shop floor operation and production according DIN EN 13155 + DIN EN 13035

### Application

Handling at glass storage racks and vertical/horizontal processing machines

### Hoist

X-Y-lightweight crane system, column or wall-mounted slewing cranes with double rail jib

### Suspension

Carriage adapter (trolley frame)

### Material to be handled

Flat glass and window elements

### Description

The vacuum based load lifting attachment OKTOPUS® ERGO-Jet 250 DS R 660 S TA CA EDU is designed for vertical and horizontal handling of glass panes and window elements with a maximum weight of up to 250 kg within closed rooms. It is equipped with a carriage adapter (trolley frame) to be attached to an existing lightweight crane way system with double bridge (provided by the customer).

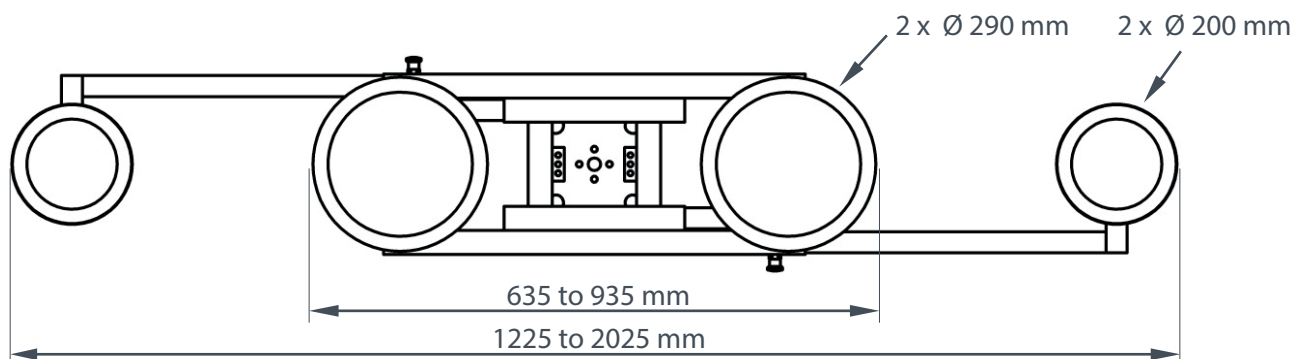
The lifting movement is performed steplessly with the help of a pneumatic cylinder within the lifting column to which the trolley frame is attached. The suction frame rotates and tilts pneumatically by 90°. The ergonomically arranged control panel (optional with height adjustment) and the vacuum generation (ejector) in each suction pad working according to the Venturi principle allow quickly and safely positioning and moving the glass by only one person.

Deviations from the nominal condition are indicated by optical and acoustical signaling devices. In case of a sudden drop of compressed air, vacuum remains in each suction pad for at least 5 minutes. In this way a secure lowering of the load can always be ensured.



# OKTOPUS<sup>®</sup> ERGO-Jet 250 DS R 660 S TA CA EDU

Application data	
Lifting and lowering:	by pneumatic cylinder (standard 1200 mm, other lengths on request)
Rotating horizontally	manually 360° in the carriage adapter
Working Load Limit	250 kg
Suction frame: Rotate: Tilt:	pneumatically 0 - 90° pneumatically , 0 - 90°
Item no.:	M 08000332
Suction pads:	2 pcs. Ø 290 mm 2 pcs. Ø 200 mm
Vacuum generation:	Ejektor (dezentral)
Weight:	ca. 120 kg
Power supply: Compressed air connection: consumption:	6 bis 9 bar ca. 185 l/min
Color:	RAL 2011 (deep orange), RAL 9006 (white aluminium)



Subject to change in the interest of technical progress.

DB130\_18 Ausg.: 03/18

#### Headquarter

Wirth GmbH  
Brehnaer Straße 1  
D-06188 Landsberg  
Phone: +49 (0) 34 602 / 70 88 - 0  
Fax: +49 (0) 34 602 / 70 88 - 111

#### Branch Office South

Wirth GmbH  
Nelkenstraße 11  
D-88074 Meckenbeuren  
Phone: +49 (0) 75 42 / 94 29 - 44  
Fax: +49 (0) 75 42 / 94 29 - 46

#### E-Mail:

oktopus@wirth-gmbh.com  
info@wirth-gmbh.com

[www.wirth-gmbh.com](http://www.wirth-gmbh.com)

**WIRTH GMBH**  
EDGE PROFILES & VACUUM LIFTING TECHNOLOGY



MITGLIED IM  
**IFBS**